

Technical data sheet



Product features

Contact plate 3,0 kW

Model	SAP Code	00005745
--------------	-----------------	----------



- Griddle dimensions [mm x mm]: 320 x 380
- Maximum device temperature [°C]: 220

SAP Code	00005745	Net Weight [kg]	15.50
Net Width [mm]	280	Power electric [kW]	3.000
Net Depth [mm]	400	Loading	230 V / 1N - 50 Hz
Net Height [mm]	150	Griddle dimensions [mm x mm]	320 x 380

Technical data sheet



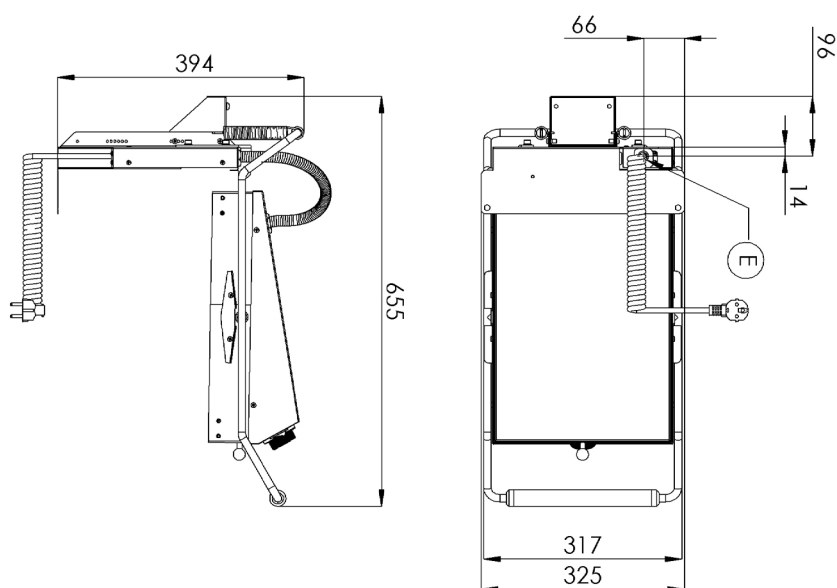
Technical drawing

Contact plate 3,0 kW

Model

SAP Code

00005745



Technical data sheet



Technical parameters

Contact plate 3,0 kW

Model

SAP Code

00005745

1. SAP Code:

00005745

2. Net Width [mm]:

280

3. Net Depth [mm]:

400

4. Net Height [mm]:

150

5. Net Weight [kg]:

15.50

6. Gross Width [mm]:

370

7. Gross depth [mm]:

630

8. Gross Height [mm]:

315

9. Gross Weight [kg]:

16.00

10. Device type:

Electric unit

11. Construction type of device:

Table top

12. Power electric [kW]:

3.000

13. Loading:

230 V / 1N - 50 Hz

14. Protection of controls:

IPX4

15. Exterior color of the device:

Stainless steel

16. Material:

AISI 430

17. Indicators:

operation

18. Maximum device temperature [°C]:

220

19. Minimum device temperature [°C]:

50

20. Griddle dimensions [mm x mm]:

320 x 380